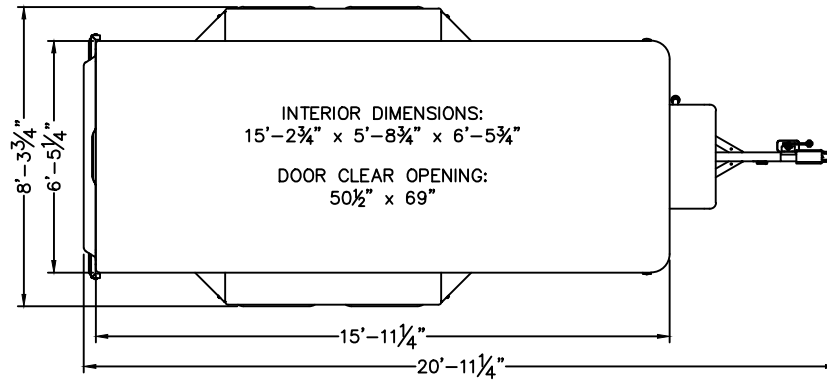


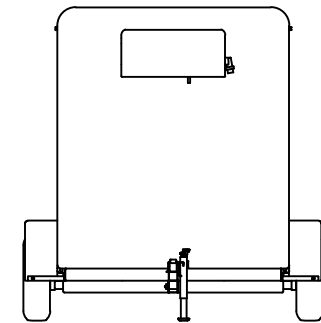
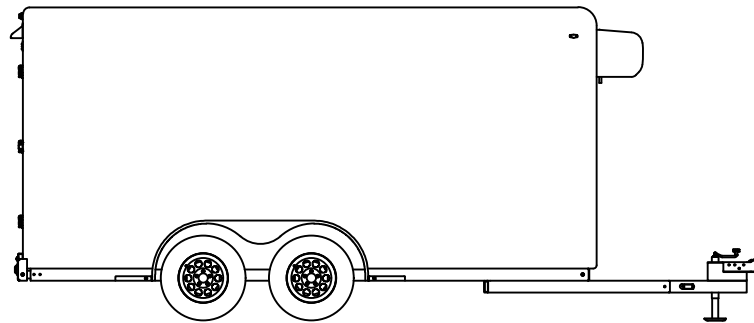
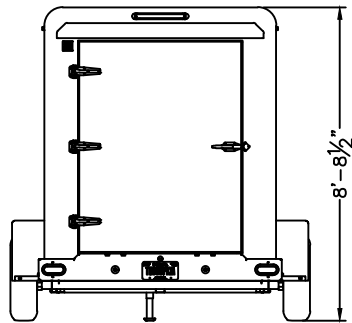
GOVI ARKTIK 2000US  
 -THERMOMETER  
 -LIGHT SWITCH

4" WALLS & ROOF  
 HEAVY DUTY FLOOR  
 STRIP CURTAINS  
 LED LIGHTING  
 7 BLADE CONNECTOR  
 2<sup>5</sup>/<sub>16</sub>" COUPLER

GVWR: 7,000 LBS.  
 TRAILER: 3,120 LBS.  
 CAPACITY: 3,880 LBS.



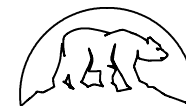
ROOM TEMP.:  
 0°F to 50°F  
 INTERIOR VOLUME:  
 564 cu. ft.  
 HORSEPOWER:  
 3/4 hp.  
 REFRIGERANT:  
 R-452A  
 ELEC. SUPPLY  
 115V  
 PHASE:  
 Single  
 CYCLE:  
 60 hz.  
 AMPERAGE:  
 15.0 MCA  
 R-VALUE:  
 R-28



### Polar King Mobile

DRAWN BY: MJR	MODEL NO.: PKM616	SCALE: 3/16" = 1'	DATE: 11/6/20
------------------	----------------------	----------------------	------------------

DRAWING NAME: Polar King Mobile 2D



**POLAR KING**  
 INTERNATIONAL, INC.