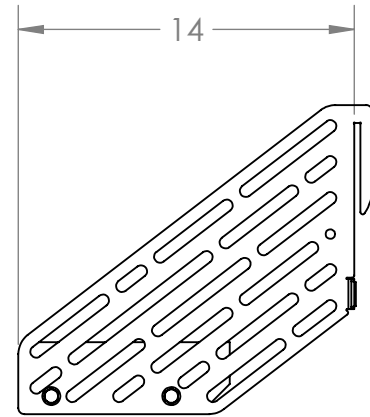
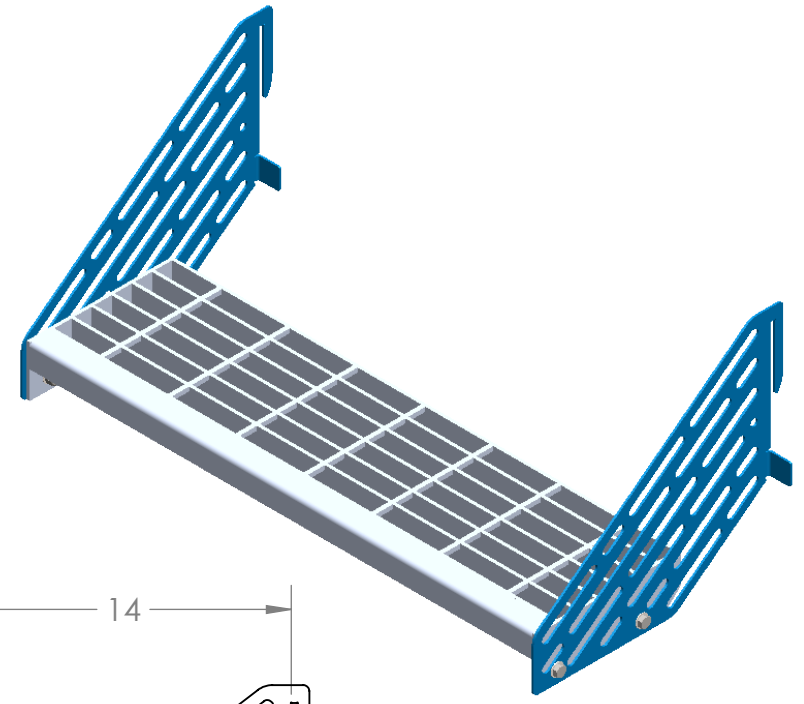
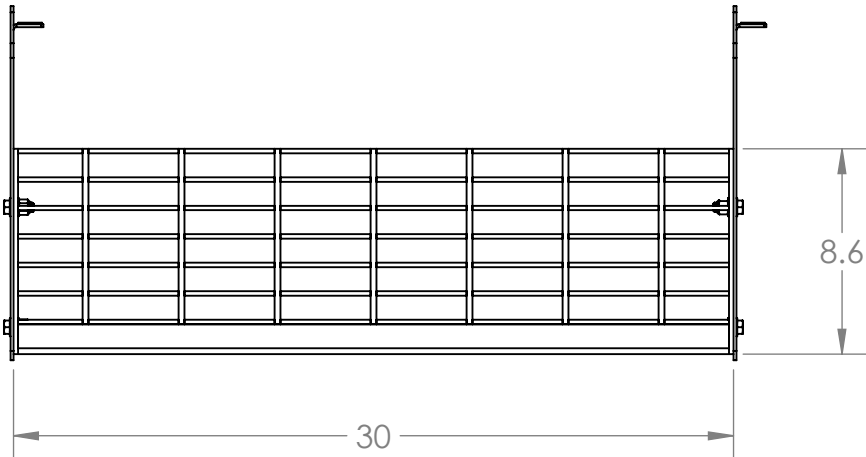


2

1

B

B



A

A



PROPRIETARY AND CONFIDENTIAL
 THE INFORMATION CONTAINED IN THIS DRAWING IS THE SOLE PROPERTY OF POLAR KING INTERNATIONAL. ANY REPRODUCTION IN PART OR AS A WHOLE WITHOUT THE WRITTEN PERMISSION OF POLAR KING INTERNATIONAL IS PROHIBITED.

UNLESS OTHERWISE SPECIFIED:
 DIMENSIONS ARE IN INCHES
 TOLERANCES:
 FRACTIONAL $\pm 1/32$
 ANGULAR: MACH $\pm 1^\circ$ BEND $\pm 1^\circ$
 ONE PLACE DECIMAL $\pm .03$
 TWO PLACE DECIMAL $\pm .01$
 THREE PLACE DECIMAL $\pm .005$
 INTERPRET GEOMETRIC TOLERANCING PER: ASME Y14.5
 MATERIAL
 FINISH
 DO NOT SCALE DRAWING

	NAME	DATE
DRAWN	MJR	6/25/2021
CHECKED		
ENG APPR.		
MFG APPR.		
Q.A.		
STOCK SIZE:		
SURFACE AREA:	1292.67 SQ. IN.	
COMMENTS:	DEBURR HOLES & BREAK SHARP EDGES REMOVE WELD SPATTER	

Polar King Mobile		
TITLE: Removable Step		
SIZE A	DWG. NO. PKM-A0003-00	REV -
SCALE: 1:8	WEIGHT: 12.18	SHEET 1 OF 1

2

1